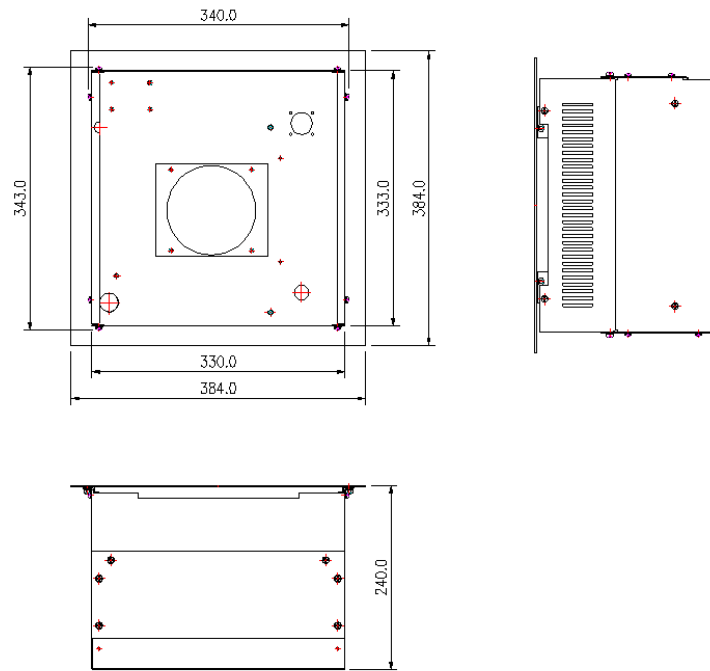


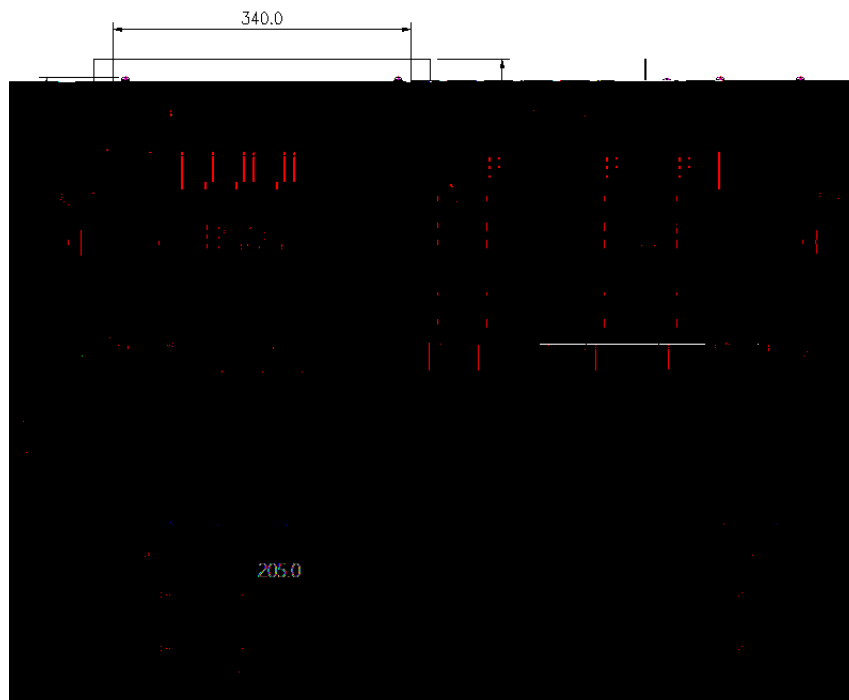
Installation Instruction of IND-30P & IND-33W Series

1. Dimension of Generator:

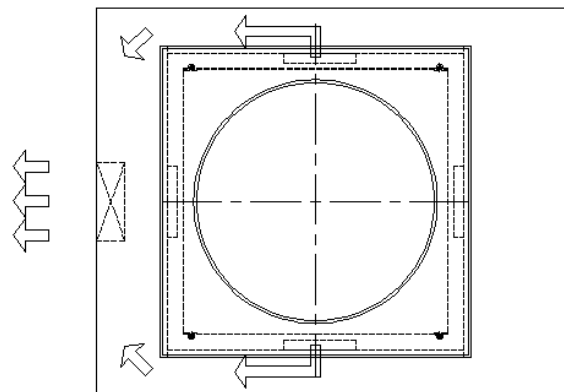
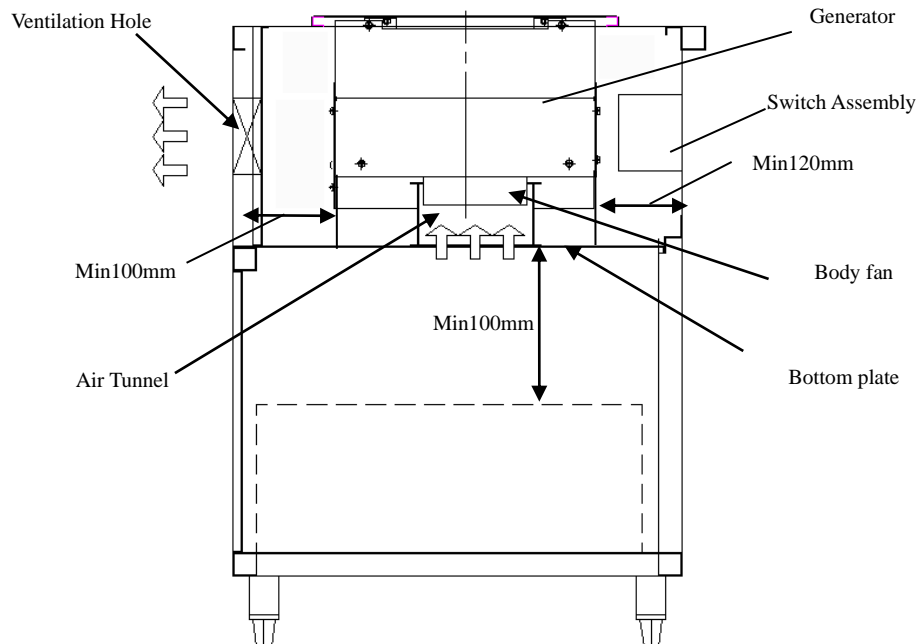
- Drop-in Wok



- Drop-in Pan



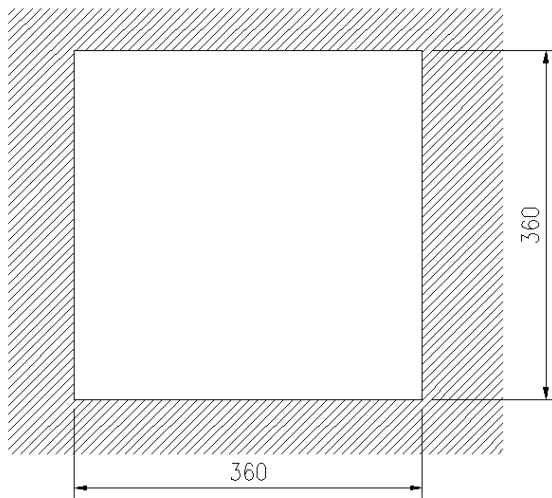
2. Installation and Ventilation of generator:



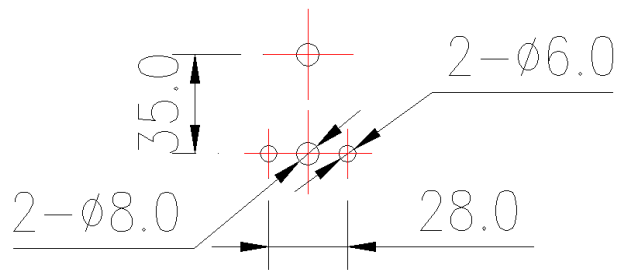
Remarks:

- The bottom plate should be used to avoid the mix of cold air and hot air;
- There should be a air tunnel to guide the fan to suck the cold air through bottom plate;
- If several generators are built in one cabinet, extra fan(s) should be considered to add at the back panel;

3. Installation hole for Generator:



4. The installation hole of the Switch and Indicator Lamp



5. Wiring Diagram:

