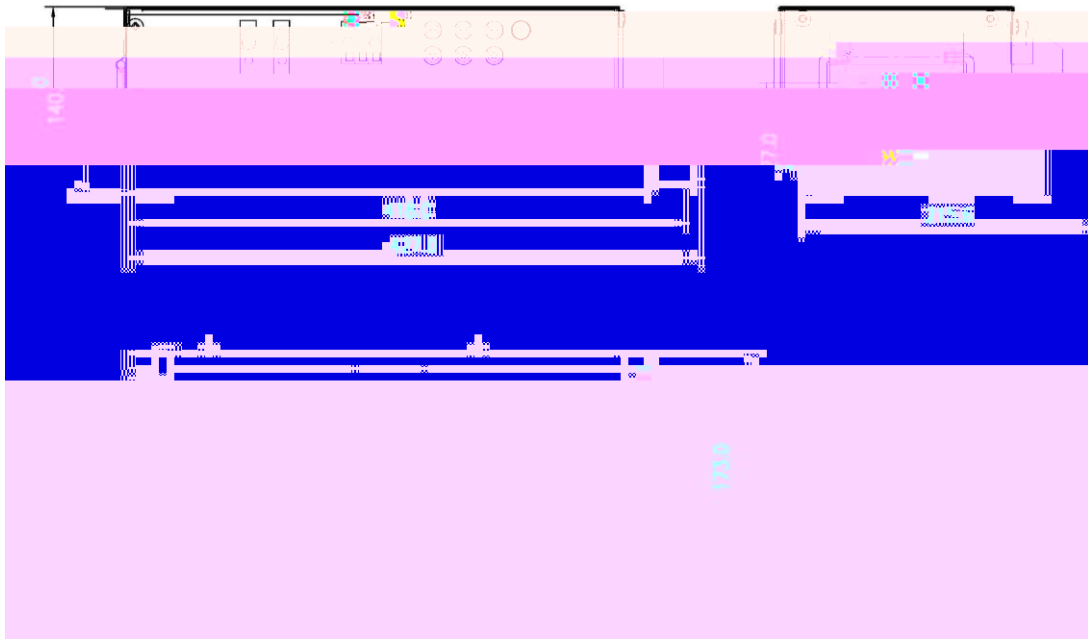


Instruction for Installing 8KW/12KW/16KW Wok Unit

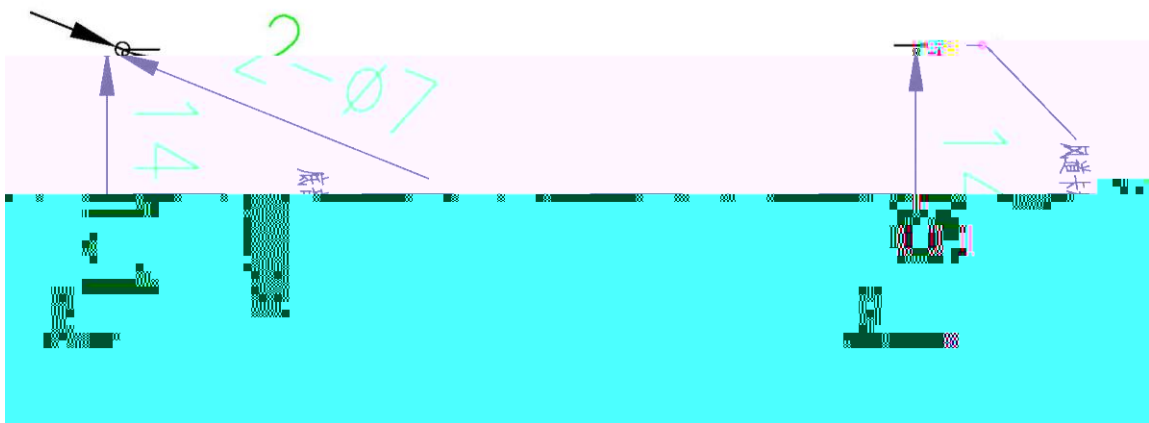
1. Dimension of main generator:



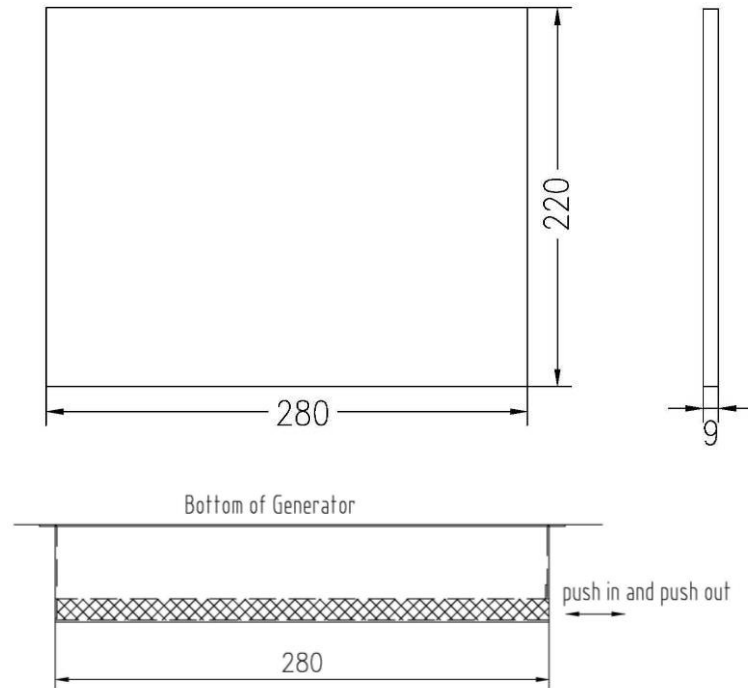
Fix of the generator:

- The front side should be fixed to the bottom plate by M5 screw;
- The rear fan could be stuck directly into the product.

2. The bottom plate of the complete unit:



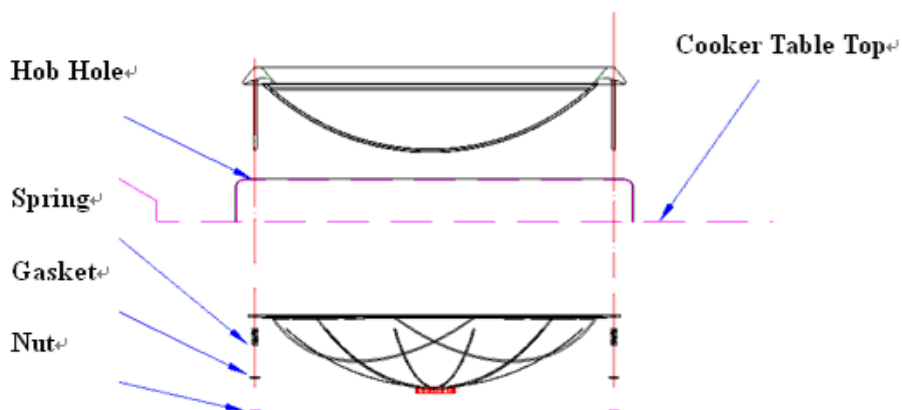
3. Installation of Filter



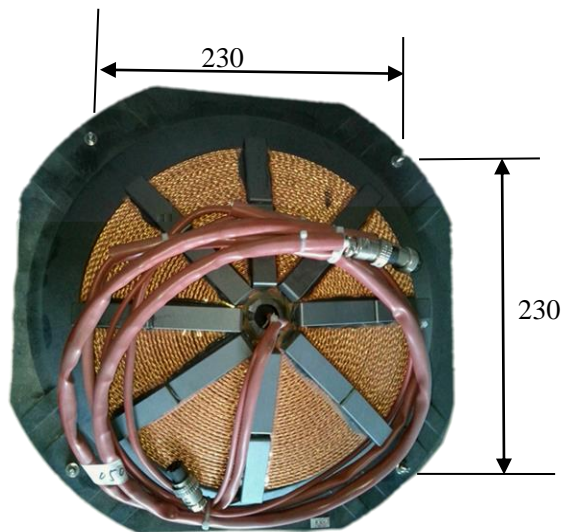
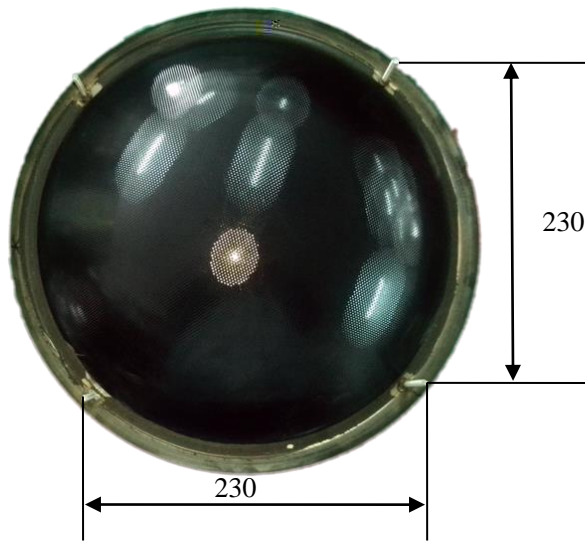
4. Installation of Coils and Glass assembly

First, mount glass-ceramic module onto the emplacement on the table top; fill the gaps between the hob and the emplacement with adhesive. It is advised to use heat-resistant silicon adhesive.

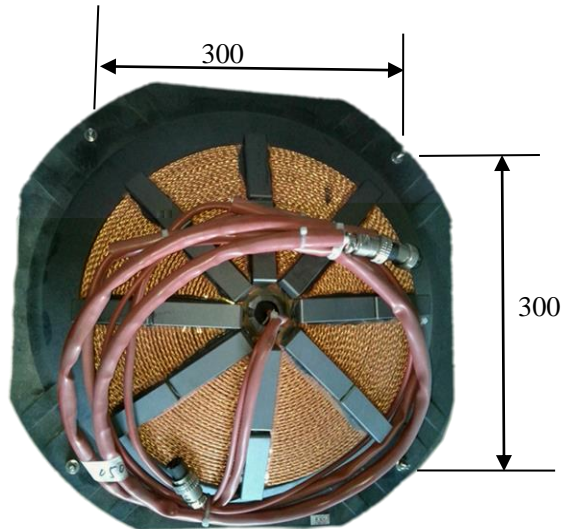
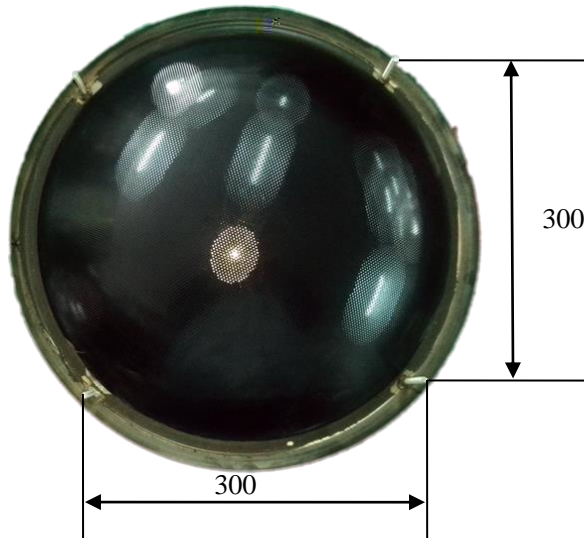
Then, mount coil module onto the glass-ceramic module, as shown in below figure.



300 ceramic glass (Only for 8kw generators)



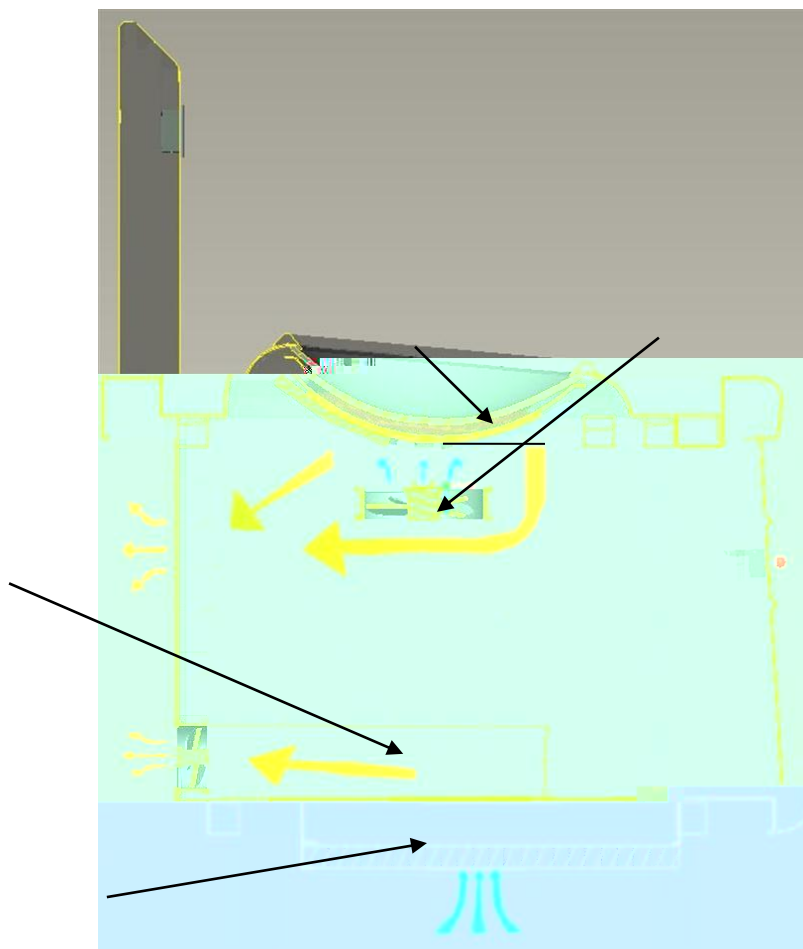
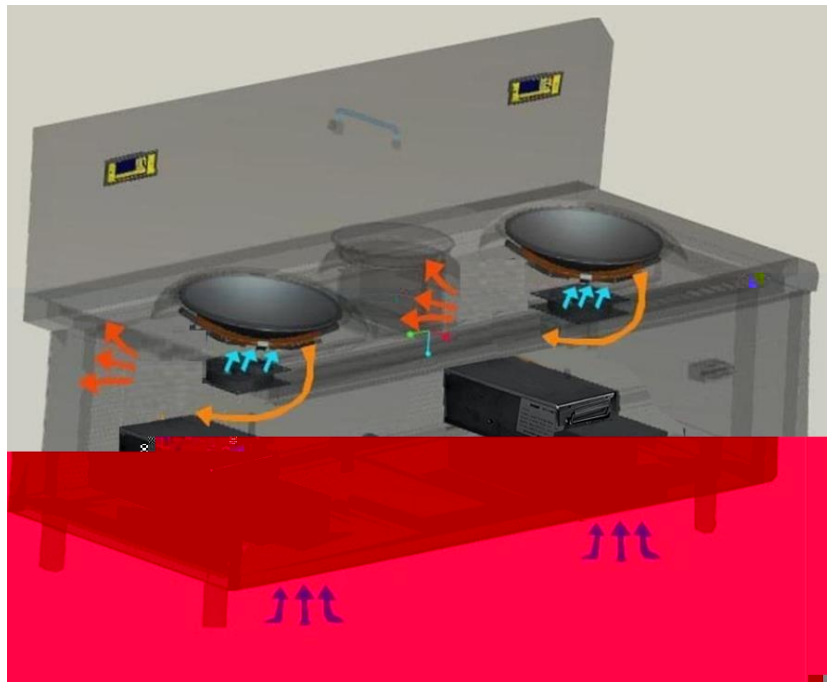
400 ceramic glass (For 8kw/12kw/16kw generators)



Note: 1) Skidproof stainless steel nuts should be used to prevent loosening during transportation.

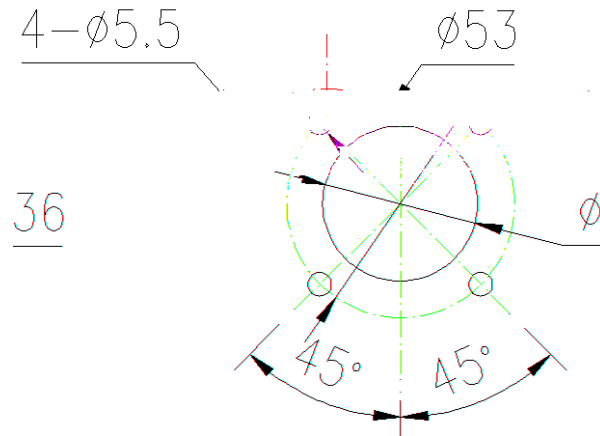
2) Make sure that the nuts are fastened so that the coil and glass-ceramic modules are in good contact. Do not over-tighten the nuts to avoid breakage of the coil stand.

5. Ventilation of the complete unit

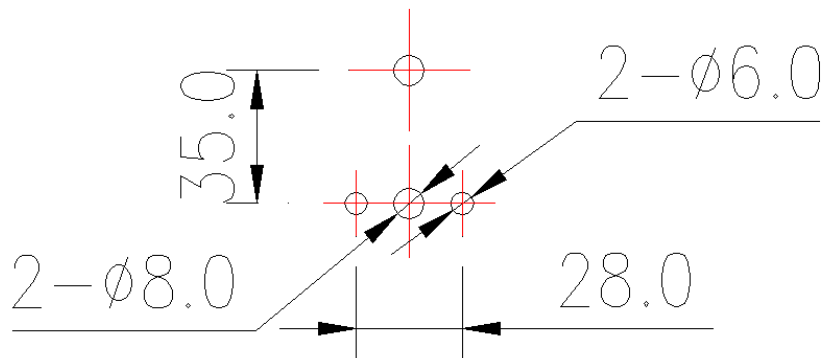


6. Installation of other parts:

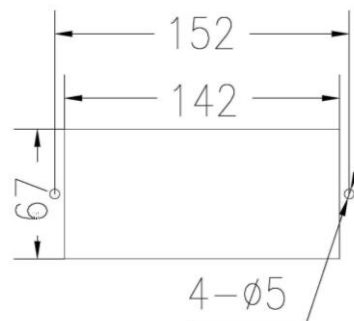
- 1 The dimension of the hole for power on/off switch



- 2 The dimension of the hole for rotary switch



- 3 The dimension of the hole for Power Indicator



Wiring Diagram



This Document Contains Confidential information, the Dissemination, Publication, Copying or Duplication of this Document or any hardware, software, or ideas described herein without Prior Written Authorization is Strictly Prohibited.

© 2023 Middleby Food Service Equipment (Qingdao) Co., Ltd.