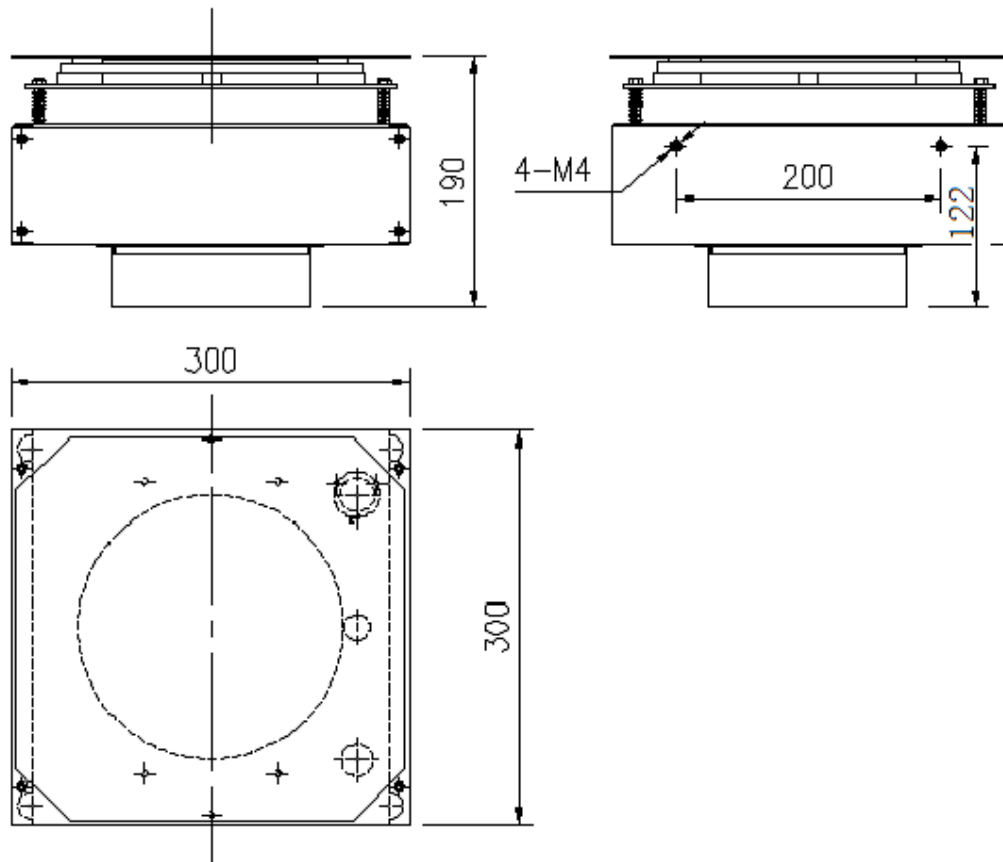
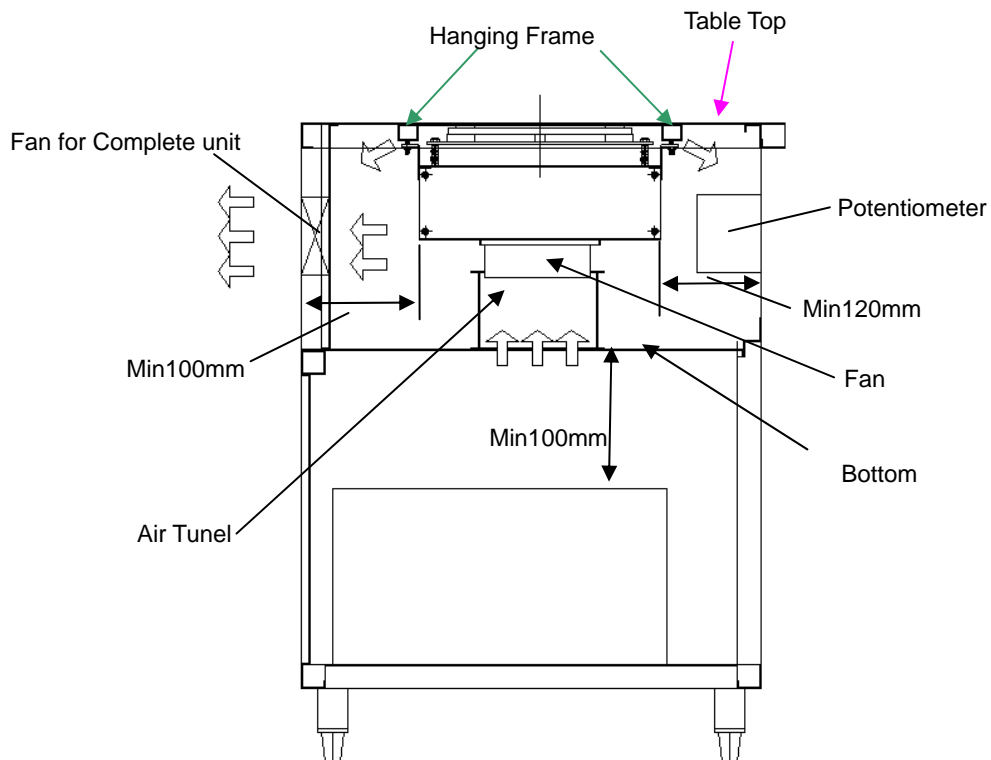


Installation Instruction of IND-31P-3500/5000/8000

1 Dimension of Generator:



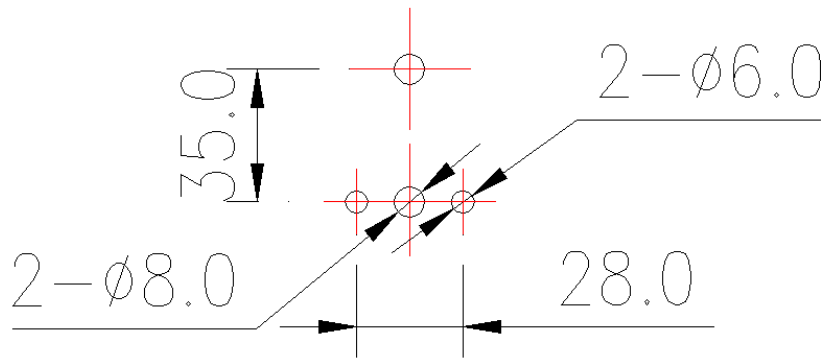
2. Installation and Ventilation of generator



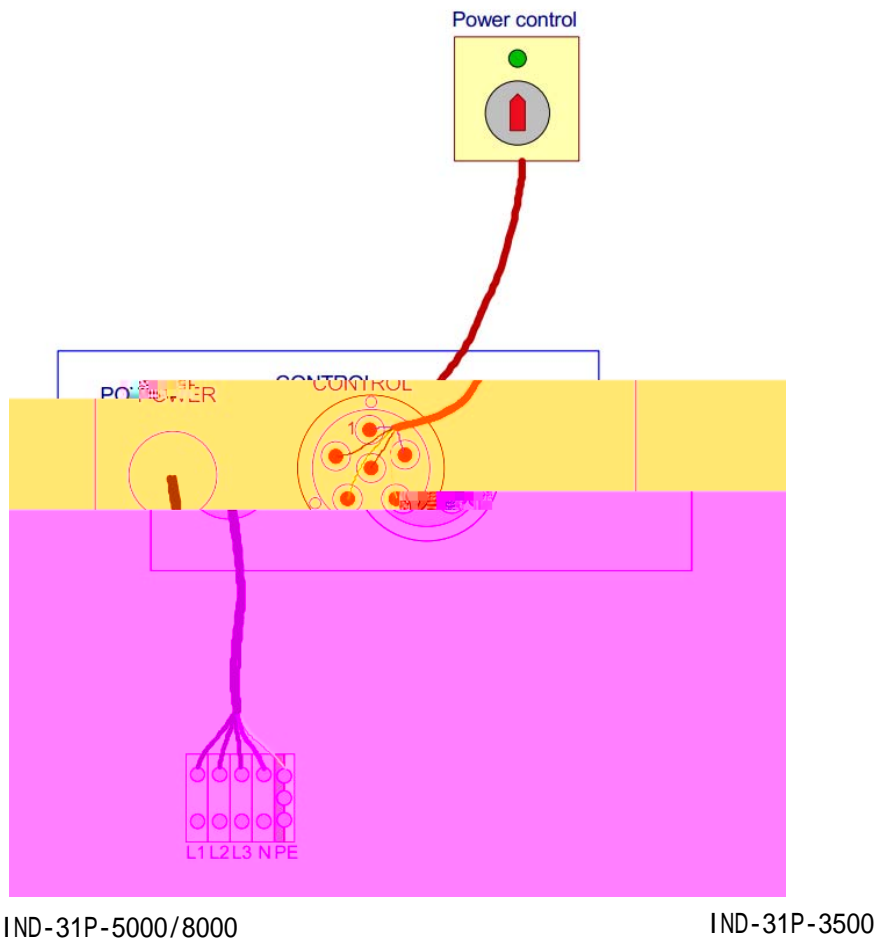
Remarks:

- The bottom plate should be used to avoid the mix of cold air and hot air;
- There should be a air tunnel to guide the fan to suck the cold air through bottom plate;
- If several generators are built in one cabinet, extra fan(s) should be considered to add at the back panel;

3. The installation hole of the Switch and Indicator Lamp:



4. Wiring Diagram :



IND-31P-5000/8000

IND-31P-3500

This Document Contains Confidential information, the Dissemination, Publication, Copying or Duplication of this Document or any hardware, software, or ideas described herein without Prior Written Authorization is Strictly Prohibited.

© 2023 Middleby Food Service Equipment (Qingdao) Co., Ltd.