
使 用 说 明 书

INDOC

.....	1
.....	1
.....	1
.....	2
.....	2
.....	2
.....	3
.....	3
.....	3
.....	3
.....	4
.....	6
.....	6
.....	7
.....	8
.....	9
.....	10
.....	11
.....	12
.....	13
.....	14
.....	15
.....	15
.....	15
.....	15
.....	16

IND

IND

3N 380V 10%

50Hz

20-40 kHz

1x12kW/16kW

2x12kW/16kW

12kW/16kW

16kW/20kW/24kW

4x2.5kw/3.5kW

-- 2x5kW/8kW

-- 12kW/16kW

-- 2x12kW/16kW

24kW/30kW

10kW

2x10kW

21kW /200L 21kW /300L

-40	+50	+5	+40
10	90	30	90

YZW

10kW-20kL 6mm²

24kW-30kL 10mm²

50-600 kPa

40

100mm

III

3mm

30mA

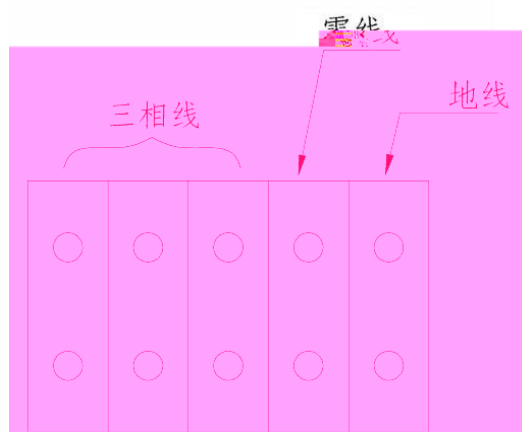
L1 L2 L3 N PE

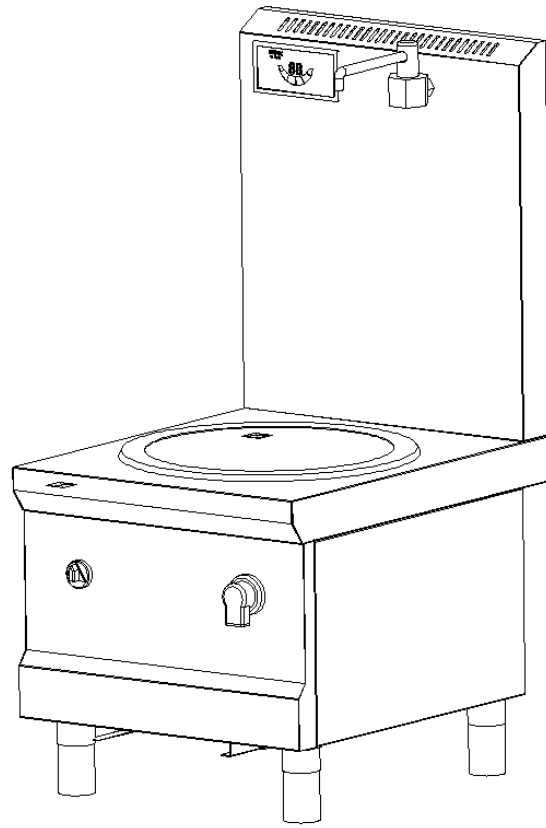
PE

N

L1 L2 L3

L1 L2 L3 N PE

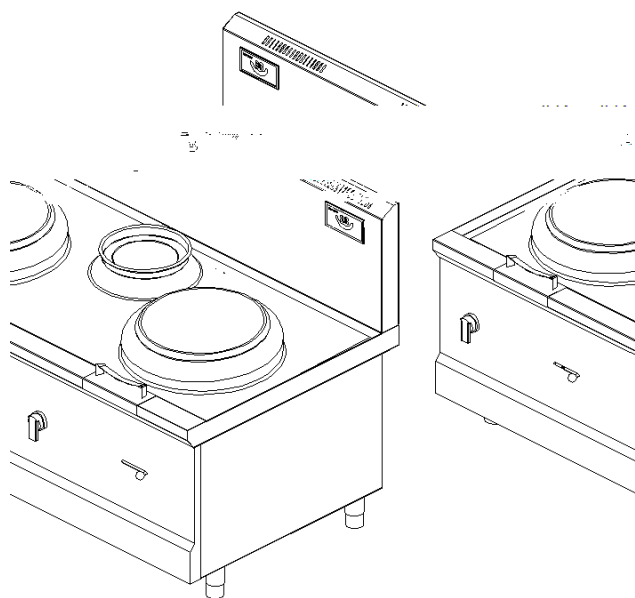
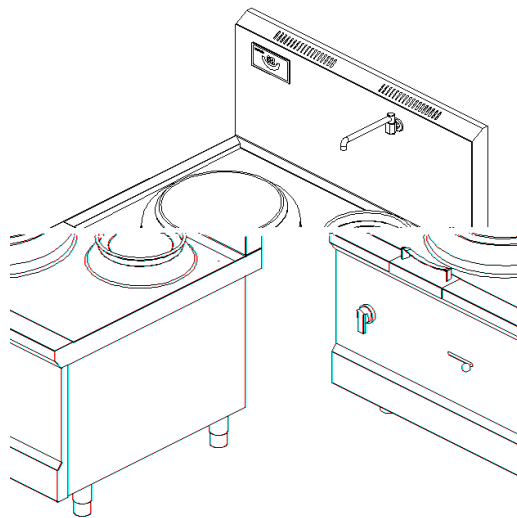




3N 380V 10%

0

0



3N 380V 10%

0

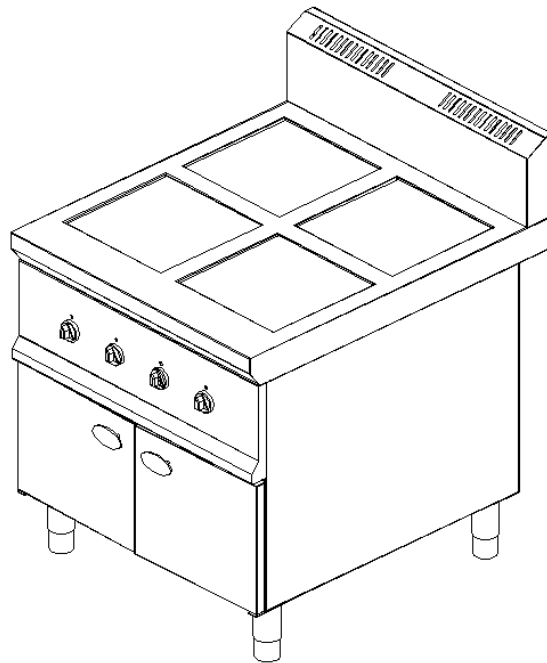
0

3N 380V 10%

1 4

5

0

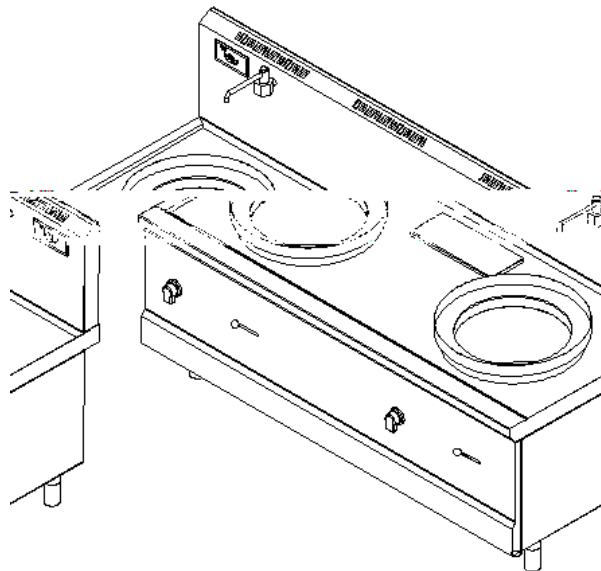
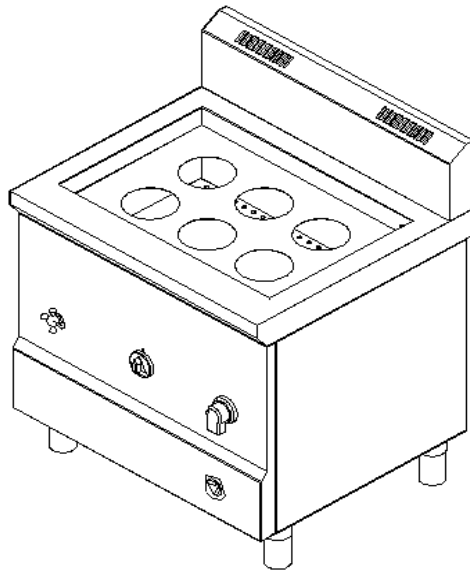


3N 380V 10%



0

0

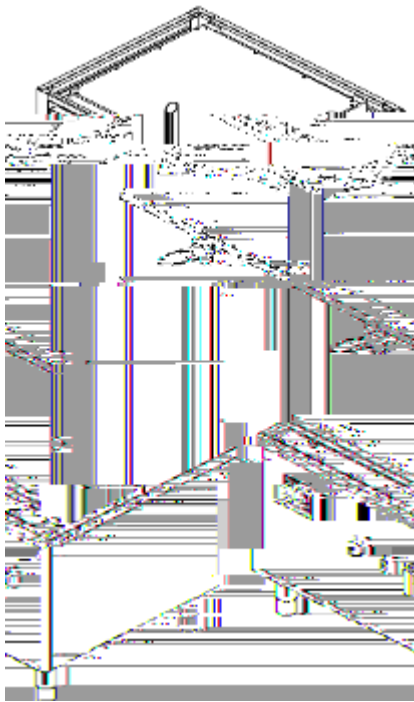


3N 380V 10%

0

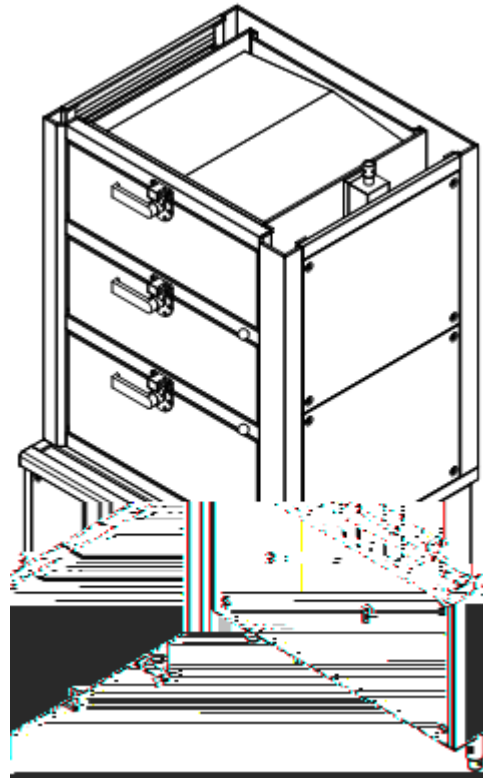
0





A

900 x 810 x 1875



B

1000 x 900 x 1875

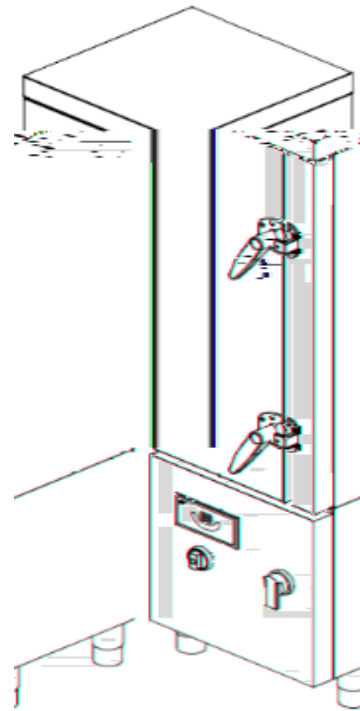
3N 380V 10%

0





1000x780x1910 24



680x580x1850 (12)

680x580x1685 (10)

0

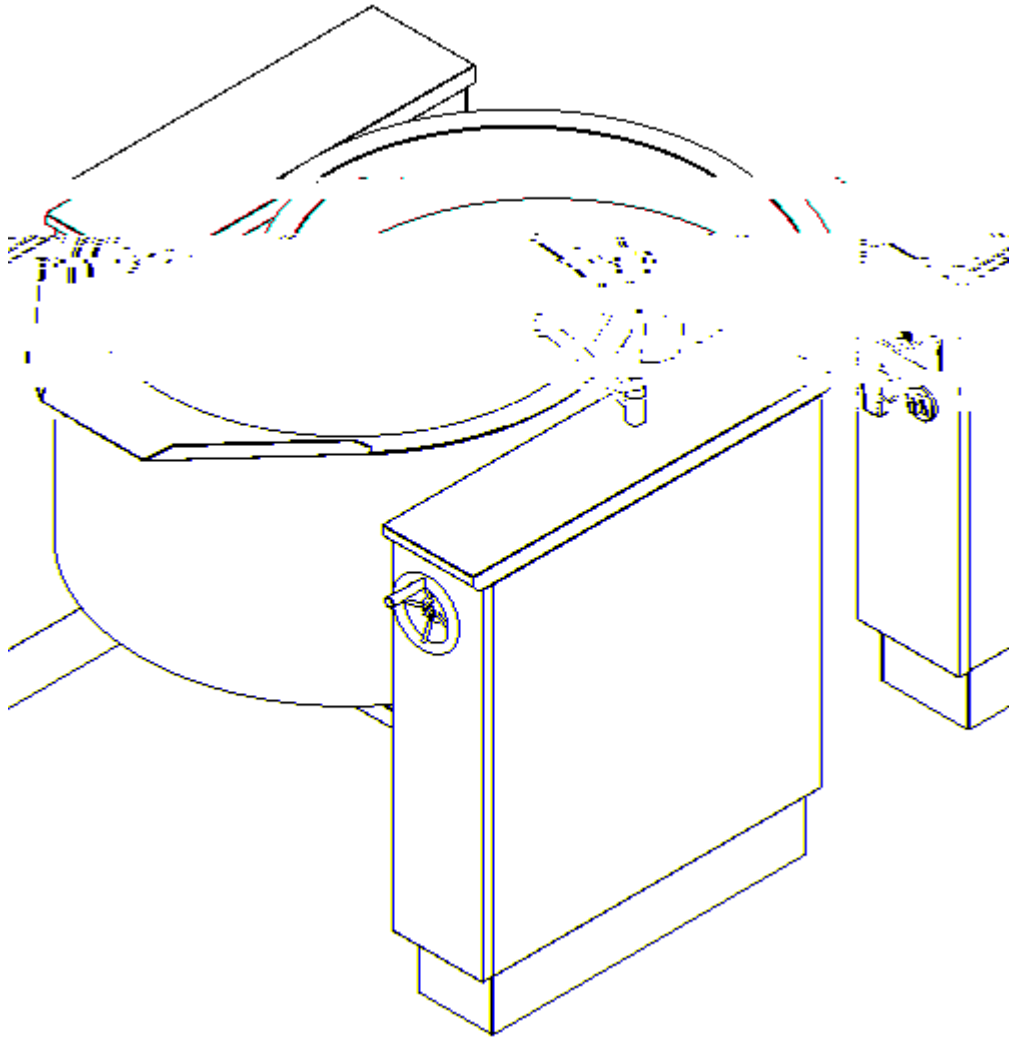
0

M0

M1

0





3N 380V 10%

0

0



3 5

3



400-888-7577

0086-532-86672003

1

266100